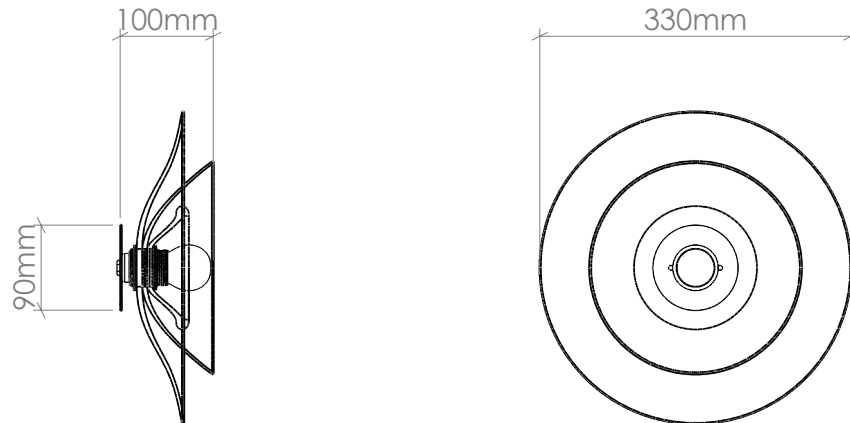


CURIOUSA

BOOM SIREN



PRODUCT CODE
SIREN_BOOM

MATERIALS
Free-blown glass, metal fittings.

GLASS
Available in 22 colours. (See 'Options' PDF.)

FITTING
E27 [25W Max, 220-240V 50Hz] Available in 5 fitting finishes. (See 'Options' PDF.) Wet area [IP Rated] & American fittings [UL Rated] also available.

AVERAGE WEIGHT
1.5kg