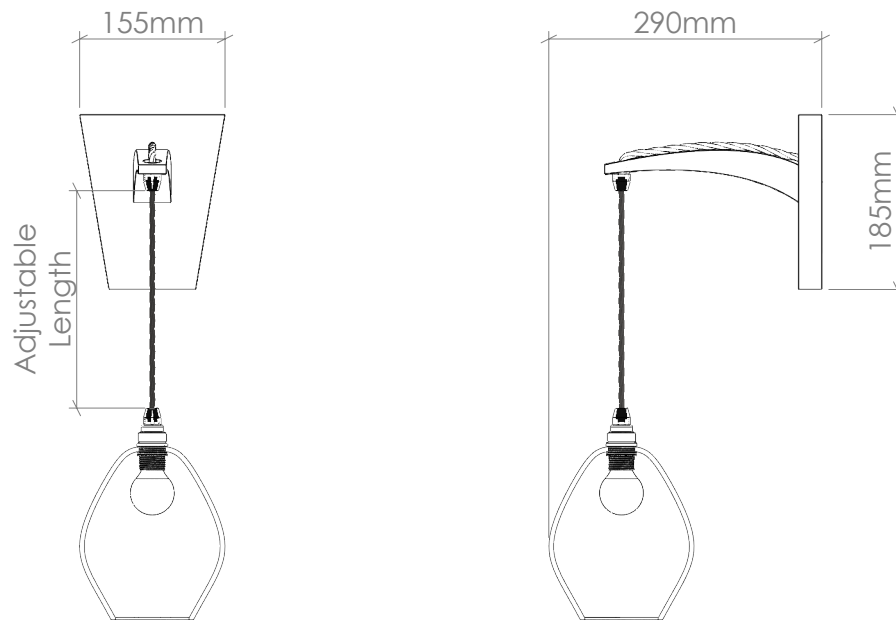


# CURIOUSA

## DECO WALL LIGHT



**PRODUCT CODE**  
WALL\_DECO

### MATERIALS

Free-blown glass, metal fittings, hand crafted walnut, oak or black lacquer wall arm.

### GLASS

Available in 22 colours. (See 'Options' PDF.)

### FITTING

E14 [25W Max, 220-240V 50Hz] Available in 5 fitting finishes. (See 'Options' PDF.) E27, Wet area [IP Rated] & American fittings [UL Rated] also available.

### FLEX

1m adjustable round or twisted fabric coated flex. Available in 10 colours. (See 'Options' PDF.) Extra length can be specified.

### AVERAGE WEIGHT

1.5kg