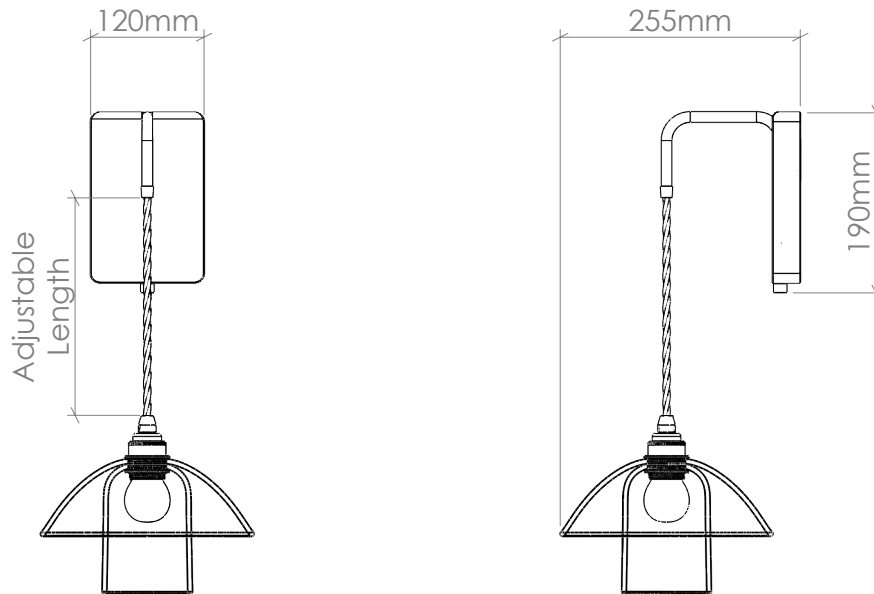


CURIOUSA

JAPONICA WALL LIGHT



PRODUCT CODE

WALL_JPN

MATERIALS

Free-blown glass, metal fittings, hand crafted walnut, oak or black lacquer wall bracket.

GLASS

Available in 22 colours. (See 'Options' PDF.)

FITTING

E27 [25W Max, 220-240V 50Hz] Available in 5 fitting finishes. (See 'Options' PDF.) Wet area [IP Rated] & American fittings [UL Rated] also available.

FLEX

1m adjustable round or twisted fabric coated flex. Available in 10 colours. (See 'Options' PDF.) Extra length can be specified.

AVERAGE WEIGHT

1.5kg