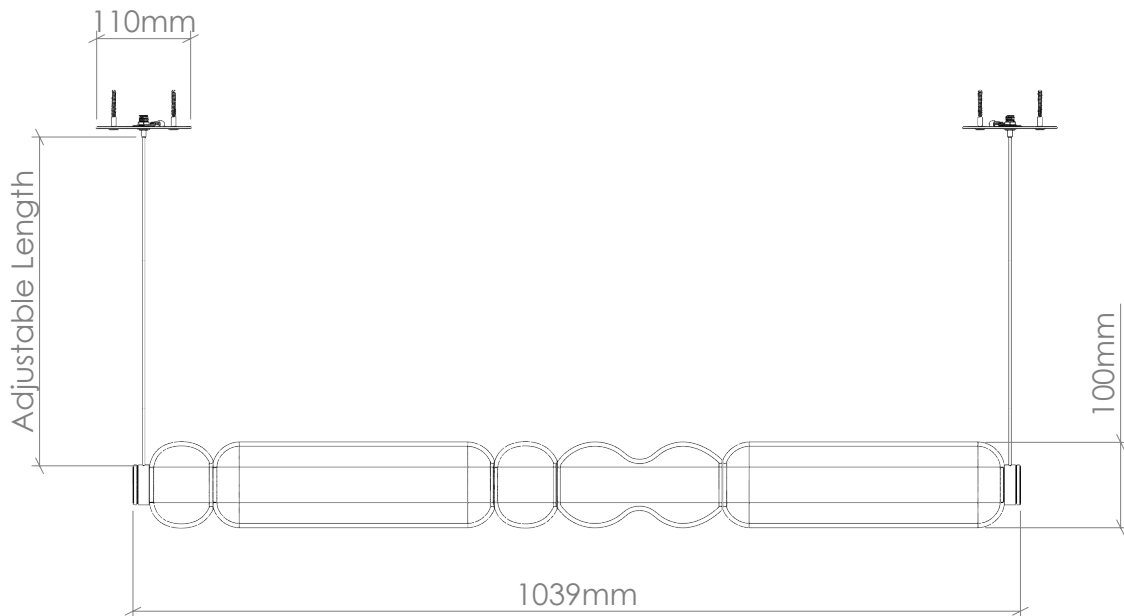


CURIOUSA

RIPPLE BEAM



PRODUCT CODE
RPPL_BEAM

MATERIALS

Free-blown glass, solid brass end caps.

GLASS

Available in 22 colours including sandblasted finish. (See 'Options' PDF.)

FITTING

LED Strip [24V] 2700k (Dimmable), approx. 40 Watts, approx. 2100 Lumens. With transformer. *American fittings [UL Rated] also available.*

SUPPORT

1m adjustable powered suspension wire with cable gliders.

AVERAGE WEIGHT

6kg

The lumen values stated are for the LEDS only.

There will be an absorption factor of approx. 30%-50% of this when taking into account the housing and the glass colour/finish.