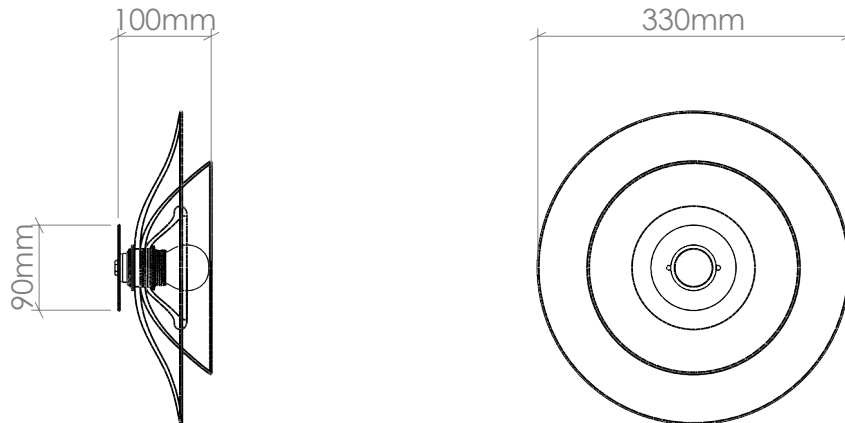


CURIOUSA

VINTAGE SIREN

TRIPLE



PRODUCT CODE
SIREN_VTG_TPL

MATERIALS
Free-blown glass, metal fittings.

GLASS
Available in 22 colours. (See 'Options' PDF.)

FITTING
E27 [25W Max, 220-240V 50Hz] Available in 5 fitting finishes. (See 'Options' PDF.) Wet area [IP Rated] & American fittings [UL Rated] also available.

AVERAGE WEIGHT
1.5kg

Due to the individual nature of the Vintage Chinaware this specification is for guidance only. Please contact our sales team for individual dimensions of our current vintage stock.