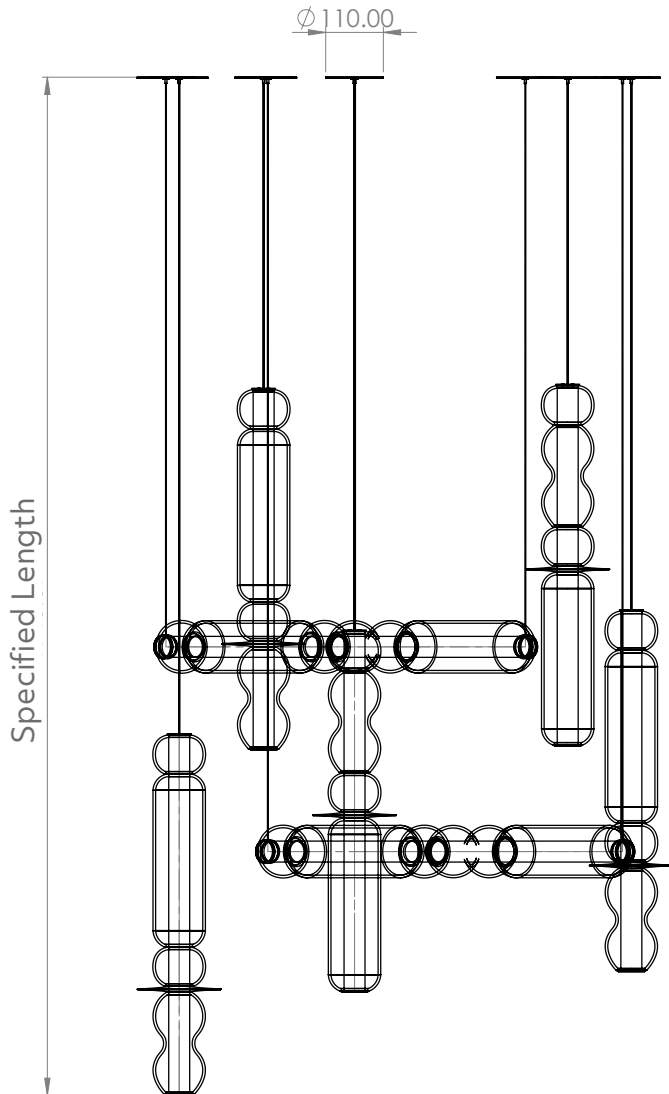


# CURIOSA



## WAVE CHANDELIER

*This chandelier is bespoke and can be customised to work with your space. Please contact us for more information.*

### GLASS

Free-blown glass. Available in 22 colours including sandblasted finish. (See 'Options' PDF.)

### FITTING

7x LED Strip [24V] 2700k (Dimmable), approx. 30-40 Watts each. With transformer. American fittings [UL Rated] also available.

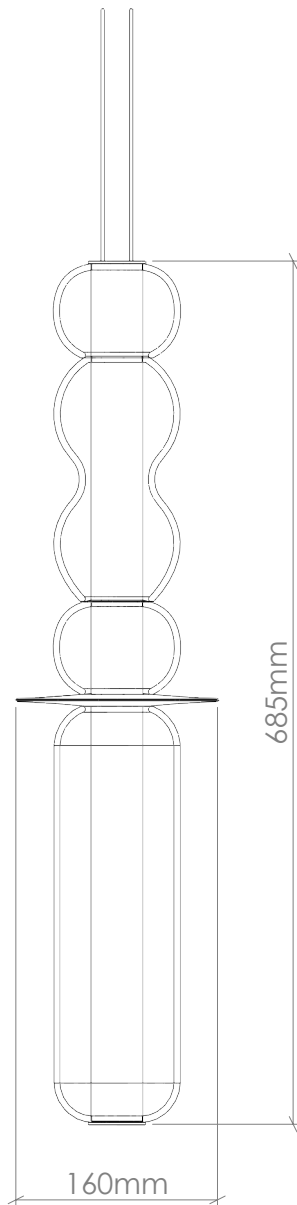
### SUPPORT

Adjustable powered suspension wire.

### AVERAGE WEIGHT

42kg

# CURIOUSA



## CREST

### PRODUCT CODE

CRST\_PEND

### MATERIALS

Solid brass end caps, free-blown glass, hand-turned walnut or oak disc.

### GLASS

Available in 22 colours including sandblasted finish. (See 'Options' PDF.)

### FITTING

LED Strip [24V] 2700k (Dimmable), approx. 30 Watts. With transformer. *American fittings [UL Rated] also available.*

### SUPPORT

Adjustable powered suspension wire.

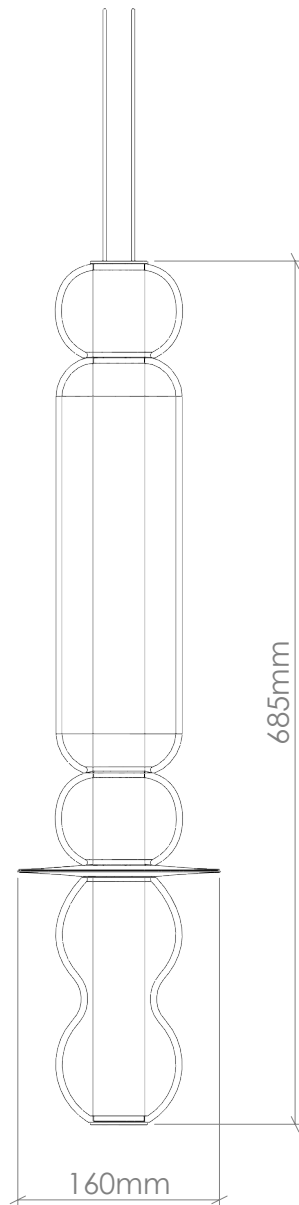
### AVERAGE WEIGHT

4.0kg

### IMPORTANT INFORMATION

All glass dimensions are approximate – our glass is free-blown so all dimensions may vary with some bubbles, swirls and possible colour variations.

# CURIOUSA



## CASCADE

### PRODUCT CODE

CASC\_PEND

### MATERIALS

Solid brass end caps, free-blown glass, hand-turned walnut or oak disc.

### GLASS

Available in 22 colours including sandblasted finish. (See 'Options' PDF.)

### FITTING

LED Strip [24V] 2700k (Dimmable), approx. 30 Watts. With transformer. *American fittings [UL Rated] also available.*

### SUPPORT

Adjustable powered suspension wire.

### AVERAGE WEIGHT

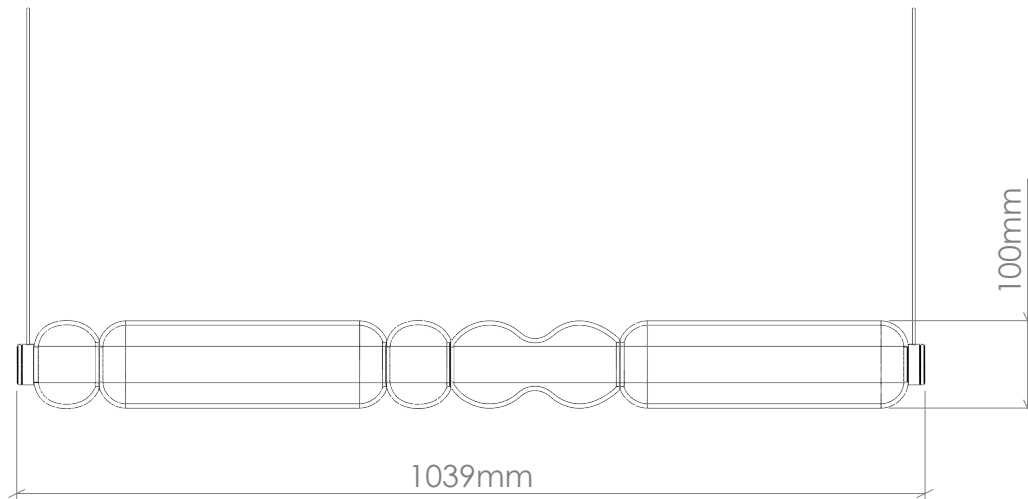
4.0kg

### IMPORTANT INFORMATION

All glass dimensions are approximate – our glass is free-blown so all dimensions may vary with some bubbles, swirls and possible colour variations.

# CURIOUSA

## RIPPLE BEAM



### PRODUCT CODE

RPPL\_BEAM

### MATERIALS

Free-blown glass, solid brass end caps.

### GLASS

Available in 22 colours including sandblasted finish. (See 'Options' PDF.)

### FITTING

LED Strip [24V] 2700k (Dimmable), approx. 40 Watts. With transformer. *American fittings [UL Rated] also available.*

### SUPPORT

Adjustable powered suspension wire.

### AVERAGE WEIGHT

6kg