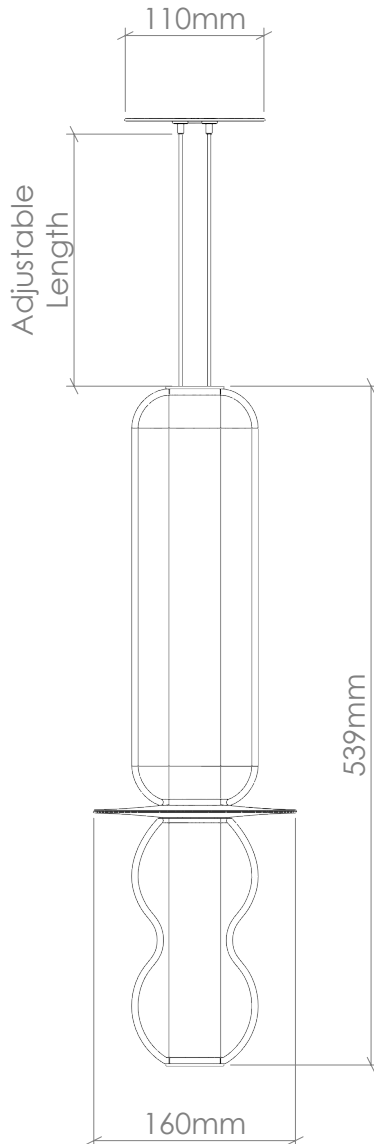


CURIOSA



LOZENGE WAVE

PRODUCT CODE

LOZEN_WVE

MATERIALS

Solid brass end caps, free-blown glass, hand-turned walnut or oak disc.

GLASS

Available in 22 colours including sandblasted finish. (See 'Options' PDF.)

FITTING

LED Strip [230V/24V] 2700k (Dimmable), approx. 26 Watts, approx. 1150 Lumens. With transformer. *American fittings also available.*

SUPPORT

1m adjustable powered suspension wire.

AVERAGE WEIGHT

3.0kg

The lumen values stated are for the LEDs only. There will be an absorption factor of approx. 30%-50% of this when taking into account the housing and the glass colour/finish.

IMPORTANT INFORMATION

All glass dimensions are approximate – our glass is free-blown so all dimensions may vary with some bubbles, swirls and possible colour variations.